

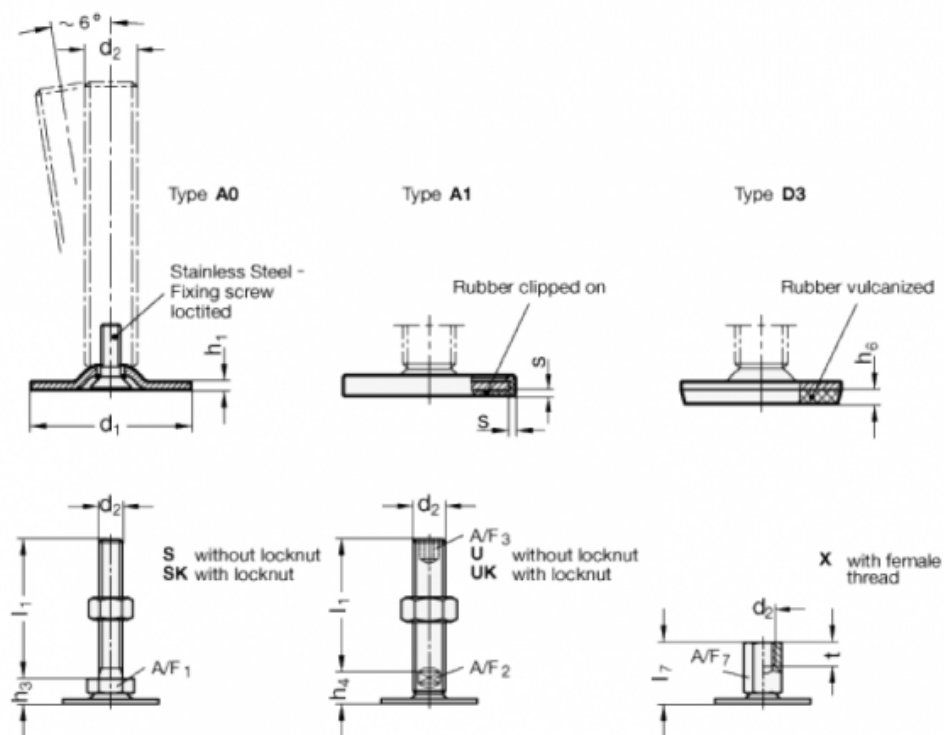
Article number: 204050M1028A1X

Description: E+G levelling foot

GN 40-50-M10-28-A1-X

Note: X With female thread, External hexagon

## Measures



|      |       |
|------|-------|
| A/F7 | = 14  |
| d1   | = 50  |
| d2   | = M10 |
| h1   | = 2.5 |
| h6   | =     |
| l7   | = 28  |
| s    | = 2   |
| t    | = 10  |